

Meet

DINO XTC II

All-terrain excellence



DINOLIFT
UP TO THE JOB

100% up to the job

- Working heights 18.5 – 22.0 m
- Excellent levelling capability
- For extreme working conditions

Standard features in all DINO XTC II models

- Compact and narrow; width 1.4 m / 1.18 m
- Extremely stable to drive – long tracks; low ground pressure – low center of gravity
- Strong diesel engine, excellent gradeability 43 % **(1)**
- Levelling to the max. inclination 16° **(2)**
- Automatic levelling
- Hydraulic basket rotation 180° **(3)**
- Easy-entry basket **(4)**
- Continuous rotation of the boom
- AC sockets in the basket



(1)



(2)



(3)



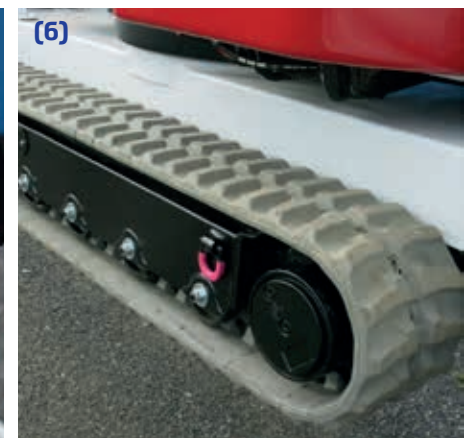
(4)

Options available for all DINO XTC II models:

- User-friendly radio control **(5)**
- Electric motor 110/230VAC
- Non-marking tracks **(6)**
- DINO SafeGuard secondary guarding
- Special colour **(7)**
- Converter 110V
- Narrow basket 0.70 x 0.80 m
- LED working lights **(8)**



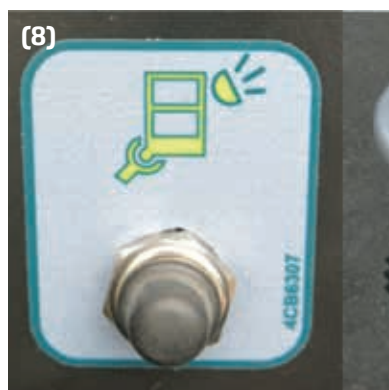
(5)



(6)



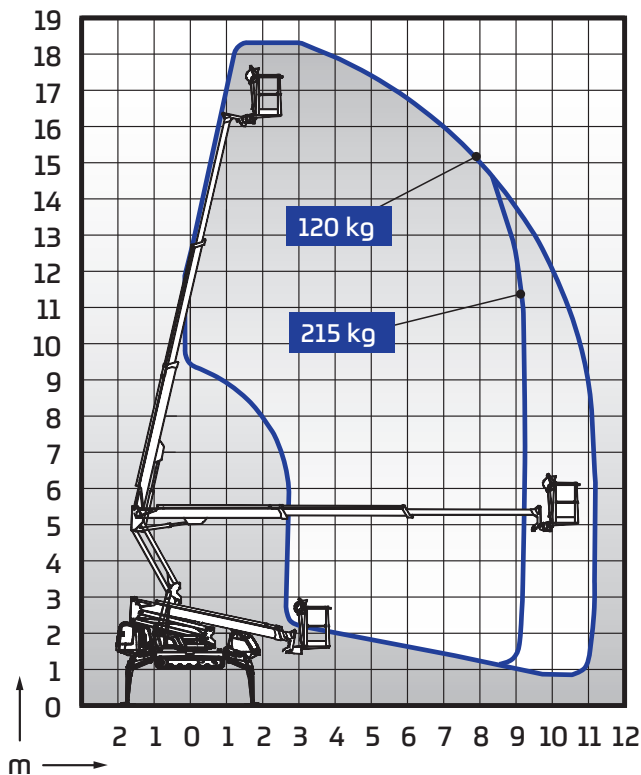
(7)



(8)



DINO 185XTC II

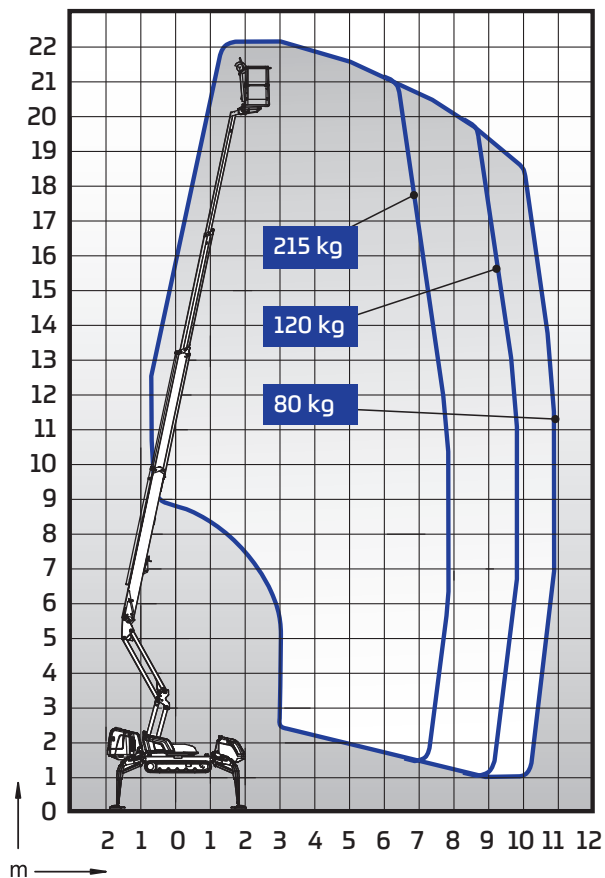


Technical data

185XTC II

Max. working height	18.50 m
Max. platform height	16.50 m
Max. outreach	11.20 m
Support width	3.54 / 3.95 m
Lifting capacity	215 kg
Basket size	0.7 x 1.3 m
Boom rotation	cont.
Basket rotation	180°
Boom control	proport.
Transport length	5.93 m
Transport width	1.40 / 1.18 m
Transport height	1.98 m
Weight	2860 kg
AC socket in the basket x 2	std
Diesel engine Kubota 17.3 kW	std
Length of tracks	1.93 m
Gradeability	43%
Max. levelling inclination	16°
Drive speed	1.4 / 2.4. km/h
Automatic levelling	std
Radio control	option
Electric motor 110/230VAC	option

DINO 220XTC II



Technical data

220XTC II

Max. working height	22.10 m
Max. platform height	20.10 m
Max. outreach	11.00 m
Support width	3.54 / 3.95 m
Lifting capacity	215 kg
Basket size	0.7 x 1.3 m
Boom rotation	cont.
Basket rotation	180°
Boom control	proport.
Transport length	6.30 m
Transport width	1.40 m / 1.18 m
Transport height	1.98 m
Weight	3060 kg
AC socket in the basket x 2	std
Diesel engine Kubota 17.3 kW	std
Length of tracks	1.93 m
Gradeability	43 %
Max. levelling inclination	16°
Drive speed	1.4 / 2.4 km/h
Automatic levelling	std
Radio control	option
Electric motor 110/230VAC	option

Meet

DT 3500L trailer



100% up to the job

- Weight 410 kg
- Length 6.20 m
- Width 2.07 m
- Payload 3050 kg

DINO aerial work platforms are known for their quality, reliability and safety. We design and build every DINO at our factory in Finland.

We take no shortcuts. We make no compromises. We make machines that help you work at height with maximum confidence. In all conditions. In all terrains.

Get in touch with us to build your own DINO.

DINOLIFT

UP TO THE JOB

Dinolift Oy | Raikkolantie 145 • FI-32210 LOIMAA, FINLAND

Tel: +358 (0)20 1772 400 • E-mail: info@dinolift.com

www.dinolift.com

Technical specifications are subject to change without prior notice.

©Dinolift Oy | 28.8.2020

